

XMAS

2024 collection





CHRISTMAS IS COMING

Chocolate figures and pralines enrich your Christmas: trees, balls and cuddly bears to sweetly celebrate the most wonderful time of the year.

Soggetti e praline arricchiscono il tuo Natale di cioccolato: alberi, palline e teneri orsetti per celebrare con dolcezza il periodo più bello dell'anno.

TREES





Professional moulds 275 x 205 mm
BPA free

Balloon

ø 118 h 172,5 mm - Weight ~ 85 gr
Prod. 2 + 2 pcs - Layout 2 x 1
Each pack contains 2 moulds.
Ogni confezione contiene 2 stampi.

21SR109G - 2 moulds for artisanal production with hooks
2 stampi per produzione artigianale con ganci

21SR109AG - 2 moulds for rotating machines with hooks
2 stampi per rotativa con ganci



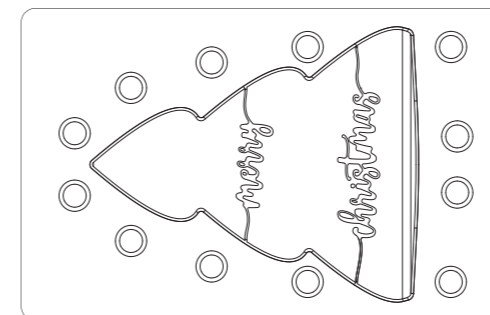
Professional moulds 275 x 1275 mm

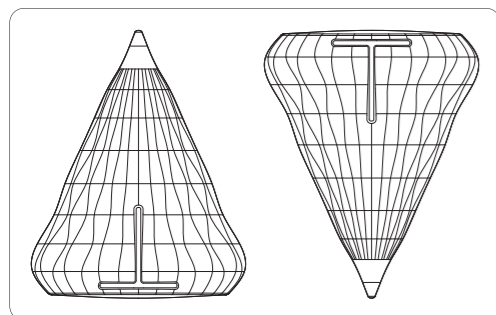
Merry Christmas

154 x 151 h 184 mm
Weight ~ 500 gr - Prod. 1 pc

20SR108 - mould for artisanal production
3Dmould with magnets

20SR108A - Spinning mould for rotating machines
3D mould with magnets and metal plate





Chiffon

120 x 123 h 150 mm
 Weight ~ 250 gr - Prod. 1 pc
 Layout 2 x 1
 Professional moulds 275 x 1275 mm

MA3017



Tree 3

ø 104 h 180 mm
 Weight ~ 160 gr - Prod. 1 pc
 Layout 2 x 1
 Professional moulds 275 x1275 mm

MA3012



Treesmas

ø 75 h 120 mm
 Weight ~ 45 gr - Prod. 2 pcs
 Layout 4 x 1
 Professional moulds 275 x1275 mm

MA3009



Modular Trees

ø 150 h 180 mm ~ 290 gr
4 moulds - Prod. 2 pcs
Plastic mould

20CT01



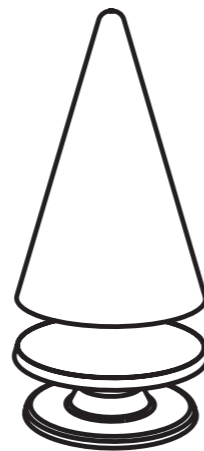
Big & Small Trees

Plastic mould
Ø 123 h 205 mm ~ 300 gr
Prod. 2 pcs

20CO02

Ø83 h 140 mm ~ 140 gr
Prod. 4 pcs

20CO01



2 moulds / stampi



Tree 2

ø 110 h 152 mm
Weight ~ 200 gr - Prod. 2 pcs

20SR100 -mould for artisanal production
3D mould with magnets

20SR100A - Spinning mould for rotating machines
3D mould with magnets and metal plate





Ø 112 h 180 mm ~ 170 gr
4 moulds - Prod. 2 pcs

20A3D01



Ø 95 h 120 mm ~ 100 gr
4 moulds - Prod. 4 pcs

20A3D02

SPECIAL XMAS BAR

This year, waiting for Christmas will be sweet with the special advent calendar bar, to approach December 25th by savoring a little piece of goodness every single day.

Quest'anno aspettare il Natale sarà dolcissimo con la speciale tavoletta calendario dell'avvento, per avvicinarsi al 25 Dicembre assaporando ogni giorno un pezzettino di bontà.



Decorated by **Nicolas Nikolakopoulos**



New

Countdown

100 x 180 h 10,5 mm
 Weight ~ 200 gr - Prod. 1 pc
 Professional mould 275 x 175 mm - BPA free

21MA2032



3D OBJECTS

Decorated by **Nicolas Nikolakopoulos**



Decorated by **Nicolas Nikolakopoulos**



Professional moulds 275 x 205 mm
BPA free



Ice

79,5 x 75,5 h 114 mm - Weight ~ 45 gr
Prod. 4 + 4 pcs
Each pack contains 2 moulds.
Ogni confezione contiene 2 stampi.



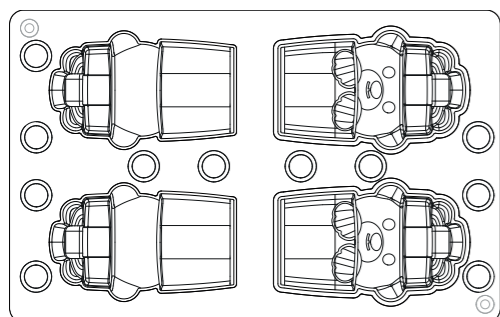
21SR110G - 2 moulds for artisanal production with hooks
2 stampi per produzione artigianale con ganci

21SR110AG - 2 moulds for rotating machines with hooks
2 stampi per rotativa con ganci



Surprise Bear

2 moulds / stampi



63 x 54 h 101 mm
Weight ~ 74 gr - Prod. 4+4 pcs
Each pack contains 2 moulds.
Ogni confezione contiene 2 stampi.

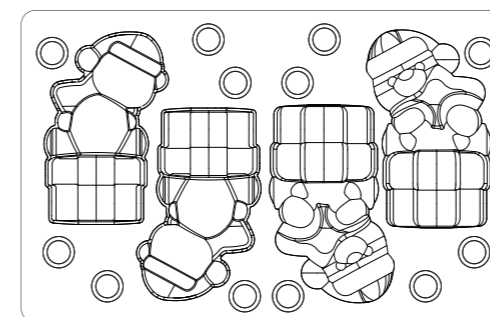
20SR106 - 2 moulds for artisanal production with hooks
2 stampi per produzione artigianale con ganci

20SR106A - 2 moulds for rotating machines with hooks
2 stampi per rotativa con ganci



Cuddly Bear

2 moulds / stampi



67 x 54 h 105 mm
Weight ~ 90 gr - Prod. 4+4 pcs
Each pack contains 2 moulds.
Ogni confezione contiene 2 stampi.

20SR107 - 2 moulds for artisanal production with hooks
2 stampi per produzione artigianale con ganci

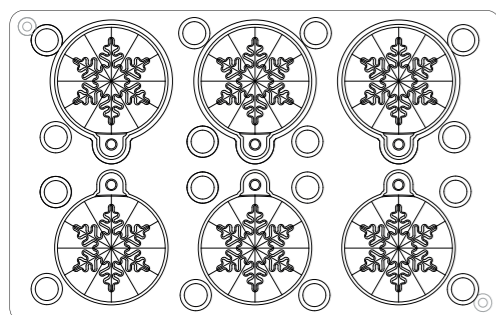
20SR107A - 2 moulds for rotating machines with hooks
2 stampi per rotativa con ganci





Snow Baubles

2 moulds / stampi



ø 60 h 72 mm
Weight ~ 47 gr - Prod. 6 pcs
Layout 3 x 2

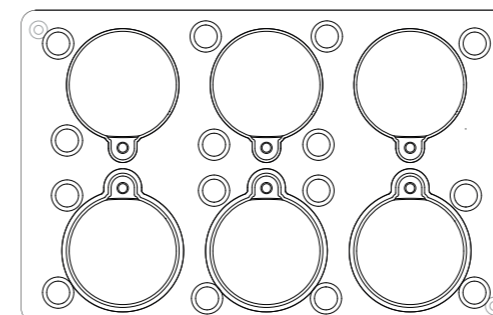
20SR104 -mould for artisanal production
3D mould with magnets

20SR104A - Spinning mould for rotating machines
3D mould with magnets and metal plate



Classic Baubles

2 moulds / stampi



ø 60 h 72 mm
Weight ~ 47 gr - Prod. 6 pcs
Layout 3 x 2

20SR105 -mould for artisanal production
3D mould with magnets

20SR105A - Spinning mould for rotating machines
3D mould with magnets and metal plate



DIAMOND SHAPES

Professional mould 275 x 175 mm



Santa

68 x 61 h 130 mm
Weight ~ 120 gr - Prod. 2 pcs
Layout 2 x 1
Professional mould 275 x 175 mm

MA3013



Tree

ø104 h 180 mm
Weight ~ 160 gr - Prod. 1 pc
Layout 2 x 1
Professional mould 275 x 175 mm
MA3012



Diamantine

ø 62 h 72 mm
Weight ~ 50 gr - Prod. 16 pcs

20SR103 -mould for artisanal production
3D mould with magnets

20SR103A - Spinning mould for rotating machines
3D mould with magnets and metal plate



Teddy

97 x 64 h 130 mm
Weight ~ 110 gr - Prod. 1 pc
Layout 2 x 1
Professional mould 275 x 175 mm

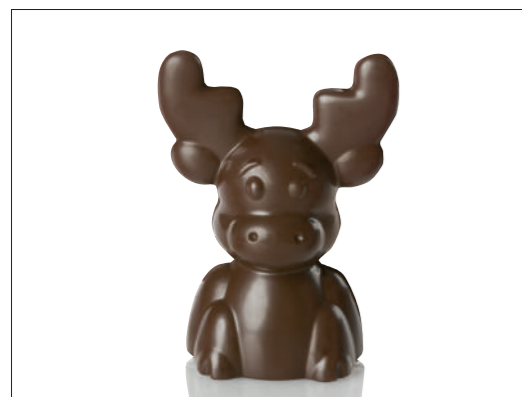
MA3014

CHOCO TRADITION

Professional mould 275 x 175 mm



2 moulds / stampi



Rudolph

88 x 56 h 120 mm
Prod. 2 pcs - Weight ~ 70 gr

20SR101 -mould for artisanal production
3D mould with magnets

20SR101A - Spinning mould for rotating machines
3D mould with magnets and metal plate

2 moulds / stampi



Toy

58 x 44 h 120 mm
Weight ~ 35 gr - Prod. 4 pcs

20SR102 -mould for artisanal production
3D mould with magnets

20SR102A - Spinning mould for rotating machines
3D mould with magnets and metal plate



Reindeer

43 x 43 h 120 mm
~ 65 gr - Prod. 4 pcs
Layout 4 x 1

20-C1001**Big Reindeer**

46 x 45 h 100 mm
~ 68 gr - Prod. 4 pcs
Layout 4 x 1

20-C1002**Xmas figures**

Prod. 4 + 4 pcs
Santa Claus: Ø 46 h 79 mm
Snowman: 42 x 46 h 72 mm

20-C1010**Santa & fawn**

h 180 mm
Prod. 1 pc - Thermoformed
mould with springs

MAC140S**Santa & teddy**

h 168 mm
Prod. 1 pc - Thermoformed
mould with springs

MAC170S**Bottle**

Ø 65 h 220 mm
closer/tappo Ø 26,8 mm
120 gr - Prod. 1 pc
Layout 2 x 1

MA3010**Santa**

Ø 70 h 120 mm
Weight ~ 55 gr - Prod. 2 pcs
Layout 2 x 1

MA3008**Snowman little**

h 114 mm - Prod. 3 pcs
Thermoformed mould with
springs

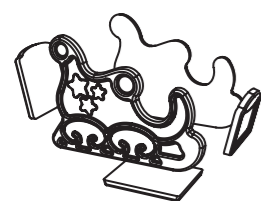
MAC320S**Big Boot**

h 135 mm
Prod. 1 pc - Thermoformed
mould with springs

MAC421S**Toy Soldier**

40 x 34 h 150 mm
80 gr - Prod. 1 pc - Thermo-
formed mould with springs

MAC407S



Xmas Sledge

140 x 70 h 100 mm ~ 140 gr
2 moulds - Prod. 2 pcs
Thermoformed mould

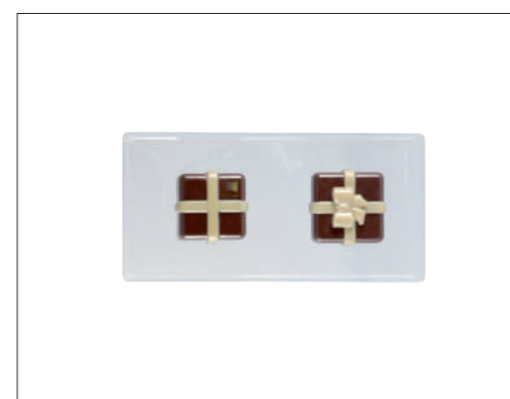
20SL01



Sweet Home

108 x 116 h 118 mm ~ 280 gr
4 moulds - Prod. 2 pcs
Thermoformed mould

20HO01



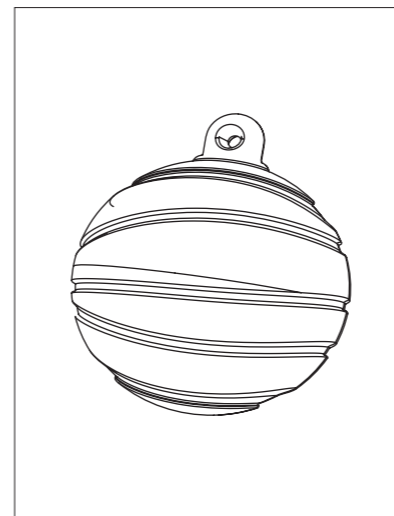
Chocolate Gift

80 x 80 h 69 mm ~ 80 gr
Prod. 2 pcs
2 Thermoformed moulds

20PR01

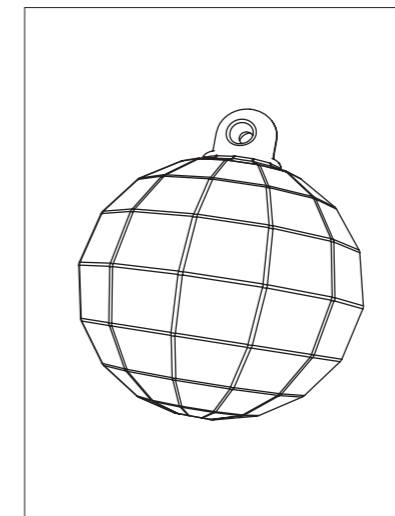


Xmas Baubles



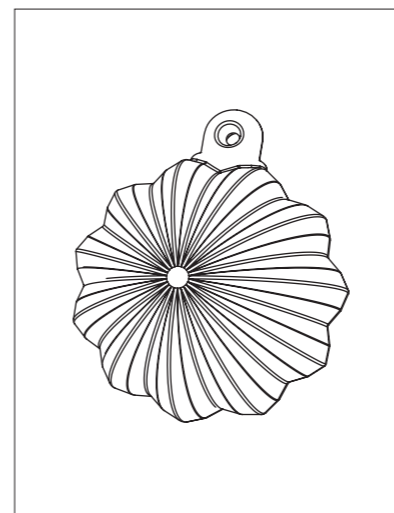
ø 60 mm ~ 40 gr
Prod. 3 pcs
Thermoformed Plastic mould

20SF003



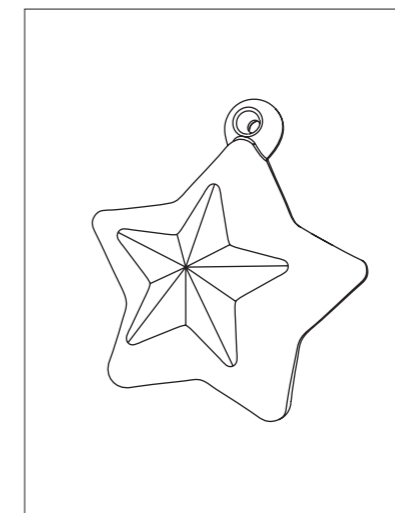
ø 60 mm ~ 40 gr
Prod. 3 pcs
Thermoformed Plastic mould

20SF005



ø 60 mm ~ 40 gr
Prod. 3 pcs
Thermoformed Plastic mould

20SF006



62 x 69 mm ~ 26 gr
Prod. 3 pcs
Thermoformed Plastic mould

20SF008

PRALINES





Choco Gift

26 x 26 h 20 mm
 Weight ~ 11 gr - Prod. 28 pcs
 Layout 7 x 4
 mould

MA1991



Pandoro

ø 30 h 25 mm
 Weight ~ 10 gr - Prod. 24 pcs
 Layout 6 x 4
 mould

MA1990



Small Bottle

60 x 20,5 h 16 mm
 Weight ~ 12 gr - Prod. 18 pcs
 Layout 9 x 2
 mould

MA3011



Xmas Baubles

80 x 26 h 16,5 mm
 Weight ~ 7 gr - Prod. 35 pcs
 Layout 6 x 5
 mould

MA1974



Xmas Trees

81 x 22 h 22 mm
 Weight ~ 7 gr - Prod. 35 pcs
 Layout 6 x 5
 mould

MA1975



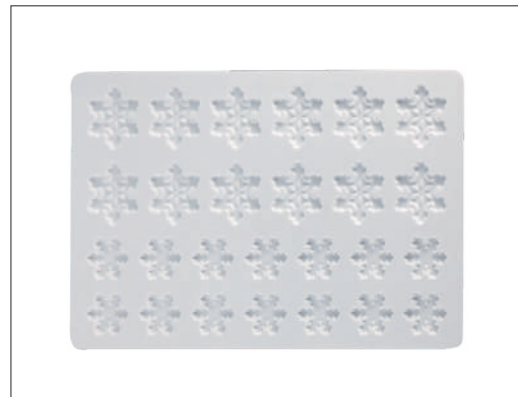
Star

40 x 42 h 16 mm
 Weight ~ 10 gr - Prod. 15 pcs
 Layout 5 x 3
 mould

MA1984



SEMI-SPHERES & DECORATIONS



Snowflakes

14 pcs Ø30 h 4mm ~1gr
12 pcs Ø40 h 4mm ~2gr

20-D029



Light Spheres

Kit 6 Stampi -moulds
Ø 100 mm - prod 1 pc
Ø 130 mm - prod 1 pc
Ø 140 mm - prod 1 pc
Ø 150 mm - prod 1 pc
Ø 175 mm - prod 1 pc
Ø 200 mm - prod 1 pc

20SF001

POLYETHYLENEmouldS

Kit 4 Stampi -moulds
Ø 50 mm - prod 6 pcs
Ø 65 mm - prod 4 pcs
Ø 75 mm - prod 4 pcs
Ø 90 mm - prod 2 pcs

20SF002



Stars

Tappeti in silicone per decorazioni di cioccolato
Silicone Mats for chocolate decorations

Chablon silicone mat
42 pcs - Ø 34mm
Thickness 1,5mm

CHASIL30

Chablon silicone mat
60 pcs - Ø 26mm
Thickness 1,5mm

CHASIL29



24 half spheres - Ø 30mm
MA5000

45 half spheres - Ø 20mm
MA5003

15 half spheres - Ø 40mm
MA5004

8 half spheres - Ø 50mm
MA5001

6 half spheres - Ø 60mm
MA5005

4 half spheres - Ø 80mm
MA5006

2 half spheres - Ø100mm
MA5002

28 half spheres - Ø 25mm
MA5007

15 half spheres - Ø 35mm
MA5008

12 half spheres - Ø 45mm
MA5009

6 half spheres - Ø 55mm
MA5010



Lollipop

Tree / *Albero*: 70 x 76 h 9 mm ~34 gr
 Star / *Stella*: 77 x 74 h 9 mm ~ 31 gr
 Prod. 8 pcs
 Thermoformed plastic

20L005

STAMPS

Frank Haasnoot



Santa

ø 6 cm

20FH38L



Merry Christmas

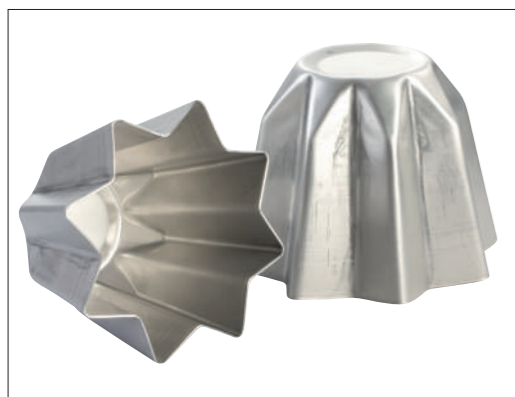
ø 6 cm

20FH35L

BAKING & SEMIFREDDO



BAKING LINE



Pandoro

Aluminiummoulds

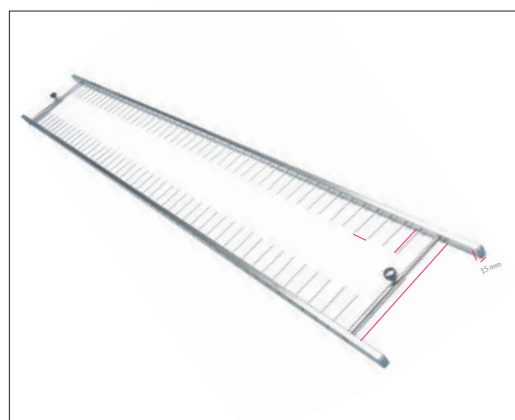
100 gr
Ø 10,8 h 8 cm
30SP0100

250 gr
Ø 16,5 h 13 cm
30SP0250

500 gr
Ø 19,5 h 14,5 cm
30SP0500

750 gr
Ø 20,5 h 15,5 cm
30SP0750

1000 gr
Ø 23 h 17 cm
30SP10500



Panettoni cake turning rod Asse gira panettoni

Stainless steel / *acciaio inox*
Total size / *lunghezza*: 221 cm
Fixed pins / *aghi fissi* Ø2,7 mm

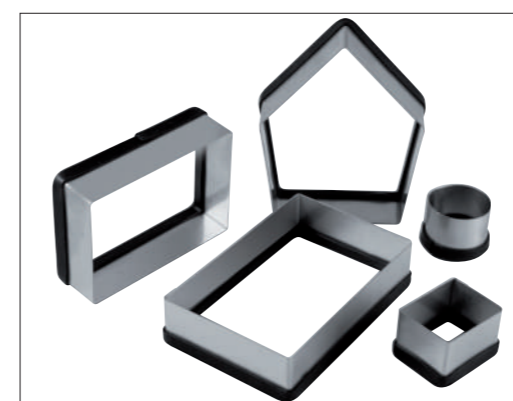
50GIRA02



Panettone Pin Ago per panettone

Pin thickness / *Spessore ago*: 2 mm - Total length / *lunghezza*: 600 mm - Perfectly finished tip / *puntale perfettamente rifinito* 8 mm

53GP01 - kit 10 pcs



Gingerbread House Cutter

Stainless steel / *acciaio inox*
120x138 h 140mm

30CH001



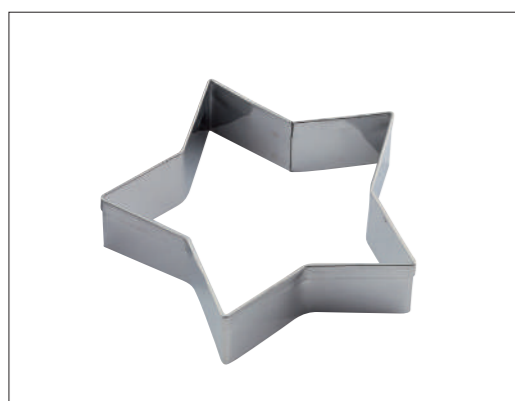
St. Steel Cakemoulds Fasce inox

300 x 235 h 40 mm
14H4X30



St. Steel Cakemoulds Fasce inox

320 x 125 h 40 mm
13H4X30



Cutters kit

Kit cutters 7 pcs
90 - 80 - 70 - 60 - 50
40 - 30

CUT31L7



Cutters kit

Kit cutters 9 pcs
37 - 51 - 66 - 82 - 96
110 - 125 - 137 - 150

CUT10L9

LOG / TRONCHETTI DI NATALE

The log, one of the typical sweets of the Christmas tradition, can be made in a semifreddo version with the line of thermoformed Plastic moulds and customized with decorative carpets to create an exclusive product.

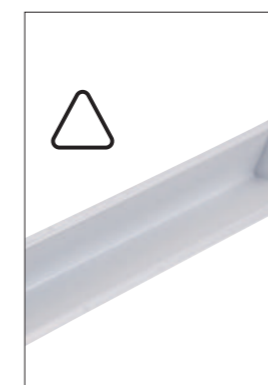
Il tronchetto, uno dei dolci tipici della tradizione natalizia, può essere realizzato in versione semifreddo con la linea di stampi in plastica termoformata e personalizzato con i tappeti decorativi per creare un prodotto esclusivo.



Classic

400 x 100 h 60 mm

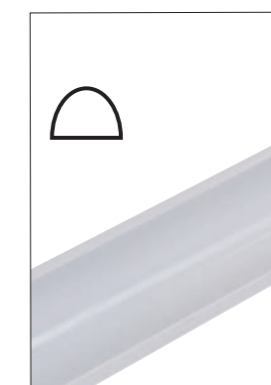
30TT104S



Triangular

480 x 65 h 65 mm

ST1



Dome

480 x 65 h 50 mm

ST2
480 x 50 h 40 mm
ST4



Insert/inserti

Kit 2 Plastic moulds

35 x 180 h 30 mm

30TB3S



Holly

36 x 16 cm

30TS008



Snowflake

36 x 16 cm

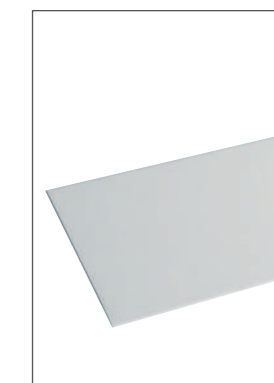
30TS009



Comet

36 x 16 cm

30TS010



Smooth

360 x 163 mm

30TS000

